

SOUTHEASTERN DX CLUB W4NT

*THE
SOUTH'S
PREMIER
DX CLUB*

October 1994

NEXT MEETING TIME & LOCATION

Tuesday, October 18th, 7:30 PM, Old Hickory House
in the Days Inn, Roswell Rd., just inside I-285.

VEEP BEEPS

by Dick Bentley, K2UFT, VP

PRESIDENT'S MESSAGE

-Delaine McCarthy, KM4FV, President

Greetings fellow club members and friends! What happened to our Summer? I feel like we should just now be getting ready to enjoy the warm weather and it's almost over. However, I'm sure some of you are ready for cold weather. Maybe the cooler weather will help band conditions, and we will be able to have more time to chase a little DX. There seems to be a lot of talk on 2 meters about putting up towers and better antennas. Sounds like folks are getting ready for some contesting.

We will hear more at the next meeting about Ham Radio '95 and the DXPO. We need YOUR support and participation to make this event the success it should be. Call Dan Nixon, N4DVW, and find out how you can help.

We really need your ideas about moving the club's meeting place if the majority wants to try another location. Please call one of your officers or plan to discuss your ideas at our next meeting on October 18.

If you were not at the last meeting when we took up a matching collection for the South Sandwich low band DXpedition, you can still help. Either attend the next meeting or mail in your contribution to John, N4TOL. It is a very worthwhile cause!

Hope you had a good vacation and "got away from it all" for a while.

Make your plans to join your friends at the next SEDXC meeting. We have been missing some of you lately.

CUL, 73

Delaine - KM4FV

Thanks Rick for holding this edition open long enough so we could finalize the program. Bob Allphin, K4UEE, has agreed to present a video show on his recent trip to Turkey - after hearing Sonny rave about the presentation last month, you're not going to want to miss this one!

Let's have a Holiday get together this year (that way I don't have to scramble for a December program!) What's your pleasure - sit down dinner wit your significant other, buffet style? Let me or Delaine know - phone numbers on the masthead.

73 Dick, K2UFT

CLUB ROSTER!!

Here is the club roster as of 10/01/94. This listing includes members in good standing who have paid their yearly dues which were due on 6/30/94. If the membership expiration date on your newsletter mailing label is highlighted in yellow, you will notice that your name is not on the roster, and you will be removed from the next newsletter mailing if your dues renewal is not received.

Please review this list for any errors or omissions, and please contact me with any changes that need to be made as soon as possible. I apologize if there are any errors that may exist, however, another roster will be published either in the November or December letter. So please send in your dues and contact me with any corrections soon so that they will be included in the next printing of the roster. My phone numbers are 843-5253 (W) and 587-4623 (H).

Thank you for your patience and cooperation, and thanks to John Smith, KI4XO, for helping to set up the new PC file which should allow us to have an updated roster available at all times.

73 de N4TOL John Tramontanis

TREASURER'S REPORT

-de John Tramontanis, N4TOL

Balance 8/31/94 (Checkbook)	\$2,302.08
Deposits:	
Raffle & Shirts	128.00
Memberships	124.00
Cluster Fund	40.00
South Georgia	65.00
Total Receipts	357.00
Subtotal	2,659.08
Expenses:	
Newsletter (Aug/Sept)	212.32
Raffle Prizes	95.39
Bank Charges	10.37
Total Expenses	318.08
Balance Checking 8/30/94	\$2351.00

Of this ending balance, \$770.00 is earmarked for the cluster fund, resulting from voluntary contributions from the club membership at renewal time. Also, \$65.00 has been donated by club members for the South Georgia DXpedition, the amount of which the club will match. Please help contribute to this cause by mail or at the next meeting as a donation of \$500.00 or more will allow for club recognition on the QSL card. As you all know it was very nice to see our logo on the 3YØ card.

- 73 de N4TOL John

DX TIDBITS

-Rick, N4XXM

This month I purchased a used BIG GAP for 160-20m. Maybe can get it ready for CQWW. This one is only 50 feet high! The manual says it takes 4 people to put it up. They are right. What they don't mention is that it also takes 4 people to take it down! Vern, W8BLA and I did it, just the two of us. Not fun or suggested.

Just put in 2 Isotel Ultra's by Tripp Lite. These are surge protectors guaranteed to protect up to and including a direct lightning hit. They also come with a \$25,000 lifetime insurance policy for the equipment hooked up to it if it fails. I sleep better with all the computers, radios and modems running through these.

CU in the pileups! -Rick

The SEDXC Newsletter is published monthly by the Southeastern DX Club. All opinions expressed by the contributors do not necessarily reflect those of the editor, officers, or club. We welcome your opinion.

MINUTES SEDXC MEETING 9/20/94

-BUDDY HARRELL, W4OUN, SEC.

The meeting was called to order by President Delaine McCarthy at approximately 7:30 PM. After introductions by all, new members were welcomed including AA4II (Bud), Ruth and Gerald Clemens, and Eric.

It was moved, seconded, and approved that Jim N4UCK be given free membership in the club because of his activity as Sysop of one of the local DX PacketCluster nodes. (Thanks Jim for your work in this activity. Your node has helped me get a few new ones.)

N4UCK provided a report on auto licenses. He indicated that if you got your amateur vanity plate prior to the rescinding of fees, you are entitled to the \$25 refund. You should write a letter requesting refund including a copy of your license and copy of canceled check. Also, if you are applying for a tag, be sure to include your social security number on the form.

Vern W8BLA reported on an upcoming (Jan., 1995) South Georgia Island DXpedition. It appears that three ops will be going if financial assistance can be obtained. Donations were accepted. Hopefully, we can get the SEDXC logo on the QSL cards. Also, a VK0HI (Heard Island) expedition is being planned. If Heard is not approved, they will be going to Kerguelen or Bouvet.

There is some sentiment for moving the meeting to another location. We would like to have more participation at dinner prior to the meeting. We currently have a 30 person commitment for dinner. Any less than that and the club will have to pay for the meeting room. Another site with a more "varied" menu might attract additional people. Dick, K2UFT, presented the demographics of where club members reside in the interest of deciding where the meeting should be. Please bring your thoughts to the next meeting.

Dan, N4DBW, discussed the Ham Radio 95 Hamfest effort underway. The concept is to include a DXPO interleaved with the Hamfest. Presenters/programs are lined up and should not cost the club anything. In fact, it will be a fund-raiser. Support was received for the effort, and plans are to press ahead.

K2UFT presented an entertaining program of slides from his and Vern's operation from ZF-land.

After Neal's (AE6E) presentation of contest plaques, the meeting was adjourned at 9:05 PM.

73's and DX, Buddy/W4OUN

Membership Roster October 1994

CALLSIGN	FIRSTNAME	LASTNAME	CITY	STATE	HOMEPHONE	OFFICEPHONE
7P8DF	MARY LYNN	ATHERTON	LESOTHO			
7P8EB	RICK	ATHERTON	LESOTHO			
AA4GA	LEE	HIERS	CORNELIA	GA	866-3375	
AA4II	BUD	WHITE	STONE MOUNTAIN	GA	292-6097	921-0231
AA4S	RON	BAILEY	SHELBY	NC	704-487-0337	704-868-5530
AA4Z	BRUCE	SAVAGE	DORAVILLE	GA	939-7672	
AA7FM	FRANK R.	SMITH	GLENDALE	AZ	602-876-2718	602-938-8000
AB4HF	JOEL	HOAG	WARNER ROBBINS	GA	912-923-3199	
AB4RU	RON	HOOPER	LULA	GA	677-2800	967-6181
AC4JQ	JOANNE	HUFF	MARIETTA	GA	955-3171	933-1000
AC4QT	GREG	WAITS	SUWANEE	GA	945-8070	321-5266
AC4VJ	DONALD	SCHMIDT	MARIETTA	GA	565-8758	565-8758
AD4AM	HUBERT	HAMPTON	COVINGTON	GA	385-0668	
AD4BB	JOE	BALCH	ROSWELL	GA	998-0111	395-5058
AD4JU	CHARLES	CALMBACHER	LAWRENCEVILLE	GA	962-8498	962-8270
AD4KW	DAVE	CURL	LAWRENCEVILLE	GA	339-1082	662-7872
AD4NQ	PAUL	WOLFE	LOGANVILLE	GA	972-7008	417-2903
AD4RI	DALE	DURHAM	DOUGLASSVILLE	GA	949-9025	949-9025
AD4TQ	STANLEY	ENGLAND	KENNESAW	GA	926-3502	516-2988
AE6E	NEAL	SULMEYER	WOODSTOCK	GA	926-8422	
HSOZAK	JOHN	GIBSON M.D.	BANGKLA	THAILAND		
HSOZAL	LINDA	GIBSON, CRNA	BANGKLA	THAILAND		
K2UFT	T.R. DICK	BENTLEY	DUNWOODY	GA	393-2150	913-3624
K4BAI	JOHN	LANEY	COLUMBUS	GA	404-561-7391	649-7840
K4DLI	JIM	STREIBLE	MARIETTA	GA	993-1767	955-1775
K4EZ	BEN	ADAMS	DECATUR	GA	321-6407	
K4GFH	HARRY	SAUNDERS	ATLANTA	GA	352-2946	607-5028
K4HGG	DALE	NORDIN	MARIETTA	GA	422-9120	528-7171
K4JAG	JOHN	HARDEN JR	ATLANTA	GA	355-4850	
K4JPD	STEVE	MCELROY	DOUGLASVILLE	GA	942-6226	964-3530
K4JRB	DAVE	THOMPSON	NORCROSS	GA	448-0588	
K4KG	BILL	JAY	DOUGLASVILLE	GA	942-3192	
K4LDI	DAVE	MEADOWS	MARIETTA	GA	955-5509	951-9001
K4LDR	PETER	SHAW	LAWRENCEVILLE	GA	978-2877	
K4MZW	JACK	RAY	DOUGLASVILLE	GA	920-0440	
K4NMH	GEORGE C	JONES	FAIRBURN	GA	964-2614	994-5287
K4NNK	GARY	ALTMAN	ATLANTA	GA	843-8487	257-8422
K4ODL	RANDY	TUDOR	MARIETTA	GA	971-3821	750-6478
K4OGG	JAY	PRYOR	DUNWOODY	GA	396-6660	706-542-8145
K4OQK	BEN	ZIEG	ATLANTA	GA	255-8001	
K4PI	MIKE	GREENWAY	DOUGLASVILLE	GA	942-4576	715-1277
K4ROZ	Dale M.	Schwartz	Atlanta	GA	955-1007	885-3214
K4RPK	LEE	FOSTER	ATLANTA	GA	261-5990	
K4SB	ED	SLEIGHT	POWDER SPRINGS	GA	439-0116	
K4SEU	JIM	FLETCHER	COVINGTON	GA	787-7221	786-2055
K4SMX	STEW	WOODWARD	VERO BEACH	FL		
K4TEA	KEN	BYERS	ATLANTA	GA	955-5800	843-1000
K4UEE	BOB	ALLPHIN	MARIETTA	GA	953-3828	956-0300
K4VHC	BOB	GOOD	BUFORD	GA	932-5184	441-2000
K8CFU	ARCH	DOTY	FLETCHER	NC	704-684-5871	
KA4C	DWIGHT	DOVER	CANTON	GA		469-2601
KB0G	TIM	HEGER	MCDONOUGH	GA	914-2525	785-3500
KB4IT	MORRIS	JOHNSON	GRIFFIN	GA	228-6789	
KB4J	GARY	LINS	NORCROSS	GA	448-1166	447-3728
KB4NJ	SAM	SILVERMAN	SMYRNA	GA	433-8606	494-7981
KB4SSS	ANN W.	STREIBLE	MARIETTA	GA	993-1767	641-0922
KC4M	HARRY	EARLY	ALPHARETTA	GA		751-0613
KC4MJ	NEIL	FOSTER	ATLANTA	GA	449-3340	
KC4UZ	BILL	WALL	LOGANVILLE	GA	466-4353	
KD4DLT	MICHAEL	HULL	LITHONIA	GA	981-3094	981-3094
KD4KDH	DAVID	WAITS	WOODSTOCK	GA	442-9901	
KD4ZBQ	HILLARY	HAGUE	DOUGLASVILLE	GA	949-1964	
KE4BZB	SHERRY	BURNETTE	CUMMING	GA		
KE4GBB	STEVEN	MAYS	ACWORTH	GA	429-1346	
KE4GSF	STEPHANIE	KAUTEN	ATLANTA	GA	233-9700	
KE4GXG	STEPHEN	POTTER	MARIETTA	GA	973-1153	973-1153
KE4GXT	TOSHIKAZU	WATANABE	LAWRENCEVILLE	GA	564-1429	995-9800
KE4IHB	KAUSHIK	MEHTA	KENNESAW	GA	424-8475	850-2086
KE4IKA	DAVID	HUNT	ALPHARETTA	GA	740-0222	740-0222
KE4LDJ	SONNY	MARSH	MARIETTA	GA	578-1974	477-0002
KE4NEV	JOHN	ZIMMATORE	ATLANTA	GA	843-8405	841-4000
KE4QLF	ERIC	BYERS	ATLANTA	GA	252-8167	
KF4IX	CLAY	WHIFFEN	MARIETTA	GA	973-6880	
KI4XO	JOHN	SMITH	ROSWELL	GA	641-1576	426-4261
KJ4VO	HAM RADIO OUTLET			ATLANTA GA		
KL7JAR	SANDRA	JORGENSON	DULUTH	GA	476-1374	261-9400
KM4FV	DELAINE	MCCARTHY	ROSWELL	GA	993-9758	642-2003
KM4IX	SHARON	FOSTER	DULUTH	GA	813-9996	853-3500
KM4LS	BILL	RONAY	DECATUR	GA	939-2452	
KM4TD	CONNIE	TUDOR	MARIETTA	GA	971-3821	
KN4H	KEN	THRASH	DECATUR	GA	633-1124	676-2048
KN6RO	ROGER	HACKLER	ACWORTH	GA	975-3258	422-5290
KO4RQ	JAMES	KAUTEN	ATLANTA	GA	233-9700	355-9515
KO4WE	RICK	WAITS	WOODSTOCK	GA	442-9901	321-5266
KO4XF	BILL	BURNETTE	CUMMING	GA	887-7567	457-5987
KQ4GP	MIKE	COHEN	ATLANTA	GA	396-0575	850-8848 X14
KQ4NY	KEVIN	ELLISON	TUCKER	GA	939-0181	244-4911
KQ4VG	JAMES	SMITH	CONYERS	GA	922-3055	526-5944

Membership Roster October 1994

CALLSIGN	FIRSTNAME	LASTNAME	CITY	STATE	HOMEPHONE	OFFICEPHONE
KR4DA	ROBERT	DeGRIPPO	LAWRENCEVILLE	GA	963-4542	986-9541
KR4DL	STEVEN	SCHMIDT	NORCROSS	GA	242-6140	729-5802
KR4KO	SHIRLEY	DURHAM	DOUGLASSVILLE	GA	949-9025	949-9025
KR4QM	BURCH	CAMERON	COLUMBUS	GA	706-322-2520	706-322-2503
KS4Q	ERNIE	ZINGLEMAN	SMYRNA	GA	319-1967	699-1505
KT4M	BOB	FLACK	SENECA	SC	803-972-1060	
KX4R	GREG	CARTER	TAYLORSVILLE	GA	706-386-0797	974-6054
N0CQL	J. MICHAEL	CAMPBELL	BIRMINGHAM	AL		
N2CCA	TOM	KEARNS	ATLANTA	GA	875-9898	901-3073
N2EST	JIM	MASSARA, JR.	LAWRENCEVILLE	GA		
N3AHI	JAMES	HOLT	SUGAR HILL	GA	945-3655	442-9345
N3FDU	J. MICHAEL	BONELLI	ALPHARETTA	GA	343-9528	FAX 343-9529
→N4DBO	SEYMOUR	SOLODAR	ATLANTA	GA	239-0755	908-9991
N4DVV	DAN	NIXON	LOGANVILLE	GA	479-1236	962-7220
N4FD	LARRY	SMITH	ALBANY	GA	912-888-9203	912-888-0239
N4HH	DON	NESBITT	ATLANTA	GA	257-0463	426-3410
N4HOH	JACK	HAGUE	DOUGLASVILLE	GA	949-1964	943-5263
N4IA	BOB	DUGGAN	ATLANTA	GA	636-2110	424-5929
N4NX	BILL	BARR	ATLANTA	GA	399-0824	573-6800
N4ONI	ROY	CONLEY	MARIETTA	GA	424-6491	656-0676
N4REE	DALE	GAUDIER	DARIEN	CT		
N4RJ	HUGH VAL	VALENTINE	LOGANVILLE	GA	979-3400	469-3000
N4SBJ	RON	TINGLE	NORCROSS	GA	381-6993	331-2344
N4SE	MAC	McCARTHY	ROSWELL	GA	993-9758	
N4TMW	LARRY	FLEGLE	WOODSTOCK	GA	928-3022	901-3027
N4TNZ	FLORENCE	MONTGOMERY	ATLANTA	GA	255-1348	
N4TOL	JOHN	TRAMONTANIS	MARIETTA	GA	587-4623	843-5253
N4UCK	JIM	ALTMAN	ATLANTA	GA	589-8145	526-8868
N4VZ	ROBERT	PETERSON	CONYERS	GA	922-3900	922-3900
N4XKU	EVELYN	GREENWAY	DOUGLASVILLE	GA	942-4576	
N4XMX	RICK	GLISSON	ATLANTA	GA	352-5349	522-8364
N4ZTT	HAROLD	VINCENT	BUCKHEAD	GA	485-7025	
NF4A	BOB	FORREST	ROSWELL	GA	993-8797	
NK4U	NANCY	DRAHEIM	KENNESAW	GA	516-4413	
NN4K	VADEN	McDONALD	STONE MOUNTAIN	GA	491-8665	263-5900
NU4D	NEAL	STARKEY	ATLANTA	GA	270-1200	
NW1N	HOWARD	GINSBERG	FAYETTEVIL	GA	599-3104	964-3530
NZ3I	TAD	DANLEY	BUFORD	GA	513-9252	449-4150
SM5DSL	JAN	EKLUND	MARIETTA	GA	578-4698	578-4435
UA3AB	ANDREW	CHESNOKOV	MOSCOW	RUSSIA	7-095/450-32	7-095/233-3
VK5QW	KEN	STEVENS	GLENELG	AUSTRALIA	08-2944061	
VP2ML	CHOD	HARRIS	FULTON	GA		
W1JA	JOHN	PELHAM	SUWANEE	GA	476-0473	813-8873
W4/JA0BSL	KIYOSHI	ENDO	DUNWOODY	GA	512-8369	396-5100
W4AQL	GA TECH	RADIO CLUB	ATLANTA	GA		
W4BFR	BRUCE	MONTGOMERY	ATLANTA	GA	255-1348	
W4BTZ	ALBERT	SMARR	ROSWELL	GA	552-9599	237-4148
W4DMB	DUB	DAWKINS	MARIETTA	GA	428-3096	
W4DXI	CLAY	GRIFFIN	ATLANTA	GA	753-0601	
W4GIW	VAN	FAIR	SENECA	SC	803-972-1060	
W4GKF	CHAZ	CONE	ATLANTA	GA	394-2663	399-6099
W4GTS	PHIL	LATTA	MARIETTA	GA	973-2185	
W4MGX	MATT	BLENDER	DUNWOODY	GA	396-3093	257-0777
W4MWT	JIM	WILSON	KENNESAW	GA	427-7744	
W4NL	LYNN	LAMB	MARYVILLE	TN		
W4OUN	BUDDY	HARRELL	CLARKSTON	GA	296-7641	493-2272
W4OWY	BOB	FUSS	MARIETTA	GA	973-4021	
W4QO	JIM	STAFFORD	ROSWELL	GA	993-9500	529-8894
W4RH	FRANK	BUTLER	FT WALTON BEACH	FL		
W4RSO	HUGH	PRICE	AVONDALE ESTATE	GA	299-0663	
W8BLA	VERNE	FOWLER	ROSWELL	GA	993-2909	518-4634
W8ZF	DEAN	FREDRIKSEN	SUGAR HILL	GA	932-1018	925-5530
W9RR	GEORGE	SENSIBAR	DACULA	GA	962-7342	962-6800
WA0HQQ	A.L.	TIREVOLD	KENNESAW	GA	975-5837	810-4686
WA4BNN	MIKE	HENRY	ALPHARETTA	GA	475-5050	475-5050
WA4CQZ	LARRY	HUFF	MARIETTA	GA	955-3171	835-7540
WA4CUG	R.L. TAD	WILLIAMSON	MABLETON	GA	696-7803	
WA4FTM	ROBERT	BRADY	ATLANTA	GA	457-9907	
WA4FVT	BILL	STRICKLAND	ATHENS	GA	549-2847	548-5541
WA4IMC	CHARLES	WOOTEN	PANAMA CITY	FL	904-265-9970	
WA4NIB	VERNON T.	UNDERWOOD	ATLANTA	GA	875-4026	
WA4PBW	WINSTON	WHITLOCK	ATLANTA	GA	436-1441	351-4211
WA4QMQ	JOHN	REASONER	BOWLING GREEN	KY	502-842-5355	502-745-6242
WA4VDE	BILL	DUNBAR	CANTON	GA	479-5889	
WA4YED	CARL	GOLDEN	ATLANTA	GA	351-3937	352-2930
WB4ECL	RAY	EBERLY	DUNWOODY	GA	394-3072	343-2118
WB4FHF	ROB	HAZEN	CANTON	GA	924-7972	345-7384
WB4FQP	HERMAN	HAZEN	DECATUR	GA	634-5648	892-1076
WB4GNT	ALLEN	BOND	MARIETTA	GA	973-6251	951-7067
WB4ZNH	CARL	HENSON	FAIRBURN	GA	964-7765	765-3366
→WD4FWE	ARLISS	NIX	MORELAND	GA	404-253-8999	
→WI4K	CAROL	SHRADER	VIRGINIA BEACH	VA	804-363-2457	
WN4FVU	MARTHA	HENSON	FAIRBURN	GA	478-3255	
WS4F	STEVE	ADAMS	CORNELIA	GA	778-8318	778-8600
WX4G	BOB	BROCKMAN	ALPHARETTA	GA	664-8773	688-4181X248

KK4JF CLUSTER FREQS.

Peter Jay, K4LDR, points out that KK4JR has a variety of frequencies and baud rates to connect if you are in that area. Thanks Pete!

DIRECT CONNECTS

1200 BPS	144.93
2400	144.93
9600	145.61
9600	440.75

THRU COMDEX/COMDEX 2/ COMDEX 3

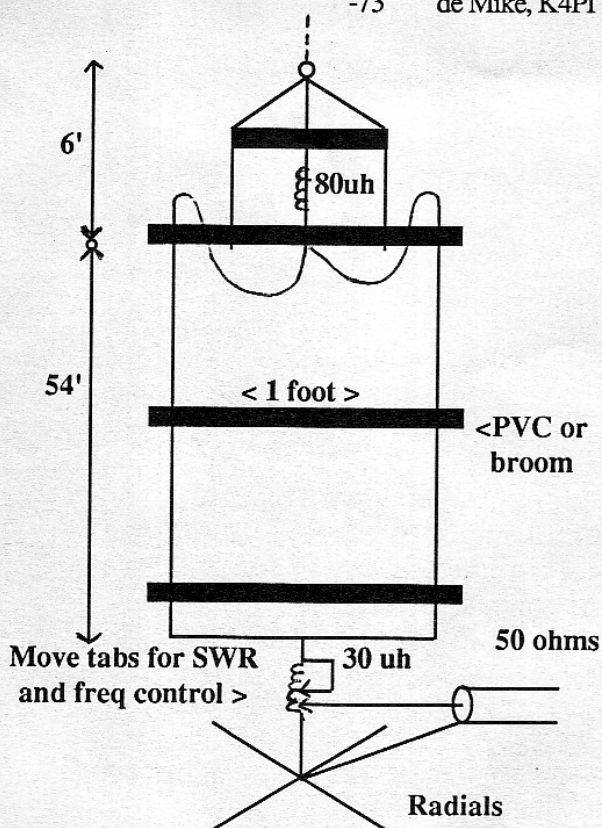
1200	145.71
2400	145.71
9600	440.75

MR. LOW BAND SAYS...

-Mike, K4PI, Mr. 160

For those wanting a small 160 antenna, the following can be mounted vertical or sloping. 165 KHz approximately between 2:1 points claimed. Not a giant killer but should do the job. W1FB 160m monopole from the August 86 issue of HAM RADIO.

-73 de Mike, K4PI



(Ed. note: The following was supplied by Dick, K2UFT. The rest will follow next month or so.)

From the diary of KT5X/USØQ, June, 94

by Fred Maas, KT5X

My adventure in cultural exchange with Ukraine began when my wife and I hosted one of five teachers from the former U.S.S.R. in 1980. Dr. Yuri Zatsney lived with us for three months. It was another ten years until letters pierced the censorship, and two more years before we could negotiate his return visit in 1992. In 1993, we arranged for one of Yuri's students to come to our school, and when she returned to Ukraine in May, my wife Debby, our 13 year old son Brendan, and I went with her.

What followed was an adventure in cultural immersion from which we have yet to recover! We spent a month in Ukraine, visiting and teaching at various universities and institutes. Then we traveled for another month in Russia. I operated from several stations in Ukraine with the callsign KT5X/USØQ and in Russia as KT5X/UA1A.

There were two more exchange students during the winter of 93/94. In June of 1994, we returned to Zaporozhye, Ukraine, 300 miles south of Kiev on the Dneiper River. We brought with us a group of ten people made up of parents and students from our school, and another radio operator, Phil Vergamini, KB5BSI. Phil, a retired research chemist, has special expertise with digital modes.

TUESDAY, 16 JUNE, 1994.

We were at Latitude 53 degrees North. It had already been bright outside for several hours when I woke myself at 5:00 AM. Though coffee can be difficult to come by here, my hosts knew we liked it from our visit last year, so they somehow found and provided it. It was helpful to endure the ravages of jet-lag! I absorbed the caffeine, trying to return to consciousness after the exhaustion of the previous day.

Vlad, UY5ZZ, was waiting outside my flat at 5:45 AM in his Russian LADA automobile. He whisked me across town to his flat and his well appointed station. His wonderful golden colored cocker spaniel, Lord, rode joyously in my lap.

(Continued next month!)