



# Bulletin



October 2020

## From the Prez



Dick K5TF

Hello, everyone.

This is has been a very different time for SEDXC with very low DX activity and physical meetings replaced with on-line meetings. Our on-line meetings have been well received and attended and will likely continue for the foreseeable future.

Speaking of meetings, Mike could use some ideas for other meeting topics of interest to you and the members. Please put on your thinking cap and let me know what you would like to see.

Looking forward to seeing everyone Thursday Oct.15<sup>th</sup>.

73,

Dick K5TF ❖

## This Month's Meeting

**Date/Time:** Thursday October 15<sup>th</sup> @ 7:00 PM

**Location:** Zoom Telemeeting

**Info:** [www.sedxc.org](http://www.sedxc.org)

**Topic:** DXpedition to the Marquesas

**Speaker:** Bob, K4UEE

## VP's Corner



Mike ND4V

For our ZOOM program this month we will travel virtually to the Marquesas Islands with K4UEE. It is always fun to travel with Bob, but I believe this one is a bit of a departure from the tent and generator trips we are used to.

I'm still hunting for a program for our November meeting and open to suggestions.

December is set, Bernie, W3UR is going to share the latest DX news (or lack thereof) with us.

Our local (Norcross) 45 South Coffee shop has an outdoor seating area that I've made use of to check cards for a couple of folk. If you have your mask and paperwork together, send me an e-mail and we can work out a time to meet.

Contest season is about to crank up. Time to inspect those antennas and do fall maintenance before the weather turns nasty.

If you have a program in mind that would be of interest to DXers or Contesters, shoot me a line at [nd4v@comcast.net](mailto:nd4v@comcast.net) and I'll try to make it happen.

*Continued on p. 3*

## INSIDE THIS ISSUE

- 1** From the Prez; VP's Corner
- 2** *Around the Shack*
- 3** Club Officers; Treasurer's Journal
- 6** DXpedition Funding Requests
- 7** 25 Years Ago in SEDXC

## Treasurer's Journal

Balance on hand as of 10/1: \$15,473 after a single expenditure of \$200 for ARRL Insurance.

Be sure and review the DXpedition Funding Request for TXØT submitted by Cezar VE3LYC who was our speaker last month.

73 and stay safe,

Jeff K1ZN ❖



Two of the biggest DX contests are happening in the next 30 days. CQ Worldwide SSB is happening the weekend of October 24. CQ Worldwide CW follows the weekend of November 28. Info can be found [here](#).

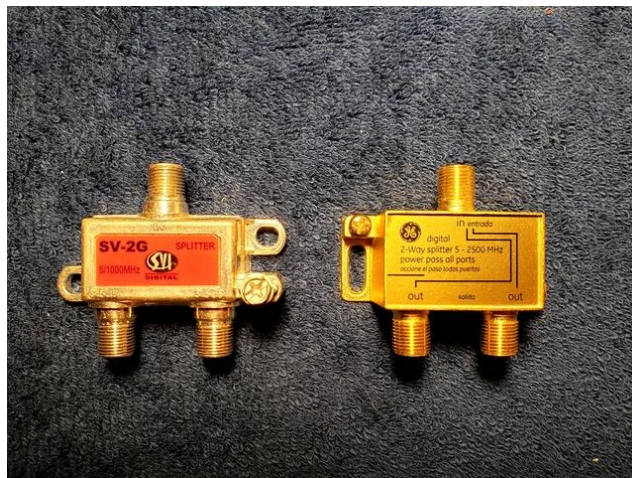
*This space left blank*

## Around the Shack de N4GG



### The Magic T

What's a Magic T? Well, it's almost certain you are using one or more, or at least have one or more in a box or drawer somewhere. See Figure 1. Those are Magic Ts.



**Figure 1**  
Typical CATV Splitters  
Useable from 5 – 1000 MHz  
\$4 on Amazon

Ah, splitters you say. Yes, indeed, Magic Ts are best known as splitters and are ubiquitous in cable TV setups. Why would we want to know more about them? They just sit there and, um, split. What's to know?

Well, we might want to know what's inside a CATV splitter, and how they work, because they have application to ham radio and because of the unfortunate fact that CATV splitters won't work well below 5 MHz (the specs are shown on the parts in Figure 1). Serious DXers and SWLs use separate receive antennas below 40 meters. For 80, 160, our new bands at 630 and 2200 meters and the AM broadcast band you are far better off with a receiving antenna.

*Cont. on p. 4*

## SEDXC OFFICERS

### President

Dick Baxter, K5TF  
[K5tf58@gmail.com](mailto:K5tf58@gmail.com)

### Vice President

Mike Weathers, ND4V  
[ND4V@comcast.net](mailto:ND4V@comcast.net)

### Secretary

Paul Kelley, W4KLY  
[w4kly@bellsouth.net](mailto:w4kly@bellsouth.net)

### Treasurer

Jeffrey Cantor, K1ZN  
[jacantor9@Gmail.com](mailto:jacantor9@Gmail.com)

### Activities

Norm Schklar, WA4ZXV  
[WA4ZXV@arrl.net](mailto:WA4ZXV@arrl.net)

## Appointed Positions

### SEDXC Bulletin Editor

Clark Macaulay, WU4B  
[clark.macaulay@gmail.com](mailto:clark.macaulay@gmail.com)

### Membership Committee Chairman

Bill Barr, N4NX  
[n4nx@arrl.net](mailto:n4nx@arrl.net)

### Webmaster

Chaz cone, W4GKF  
[w4gkf@chazcone.com](mailto:w4gkf@chazcone.com)

## Club Communications

SEDXC Webpage: [www.sedxc.org](http://www.sedxc.org)  
SEDXC Chat Room: details on webpage  
SEDXC Reflector: details on webpage

**SEDXC Bulletin** is published monthly by the Southeastern DX Club. All opinions expressed by the contributors do not necessarily reflect those of the editor, officers, or club. All rights reserved. ❖

## VP Corner (cont.)



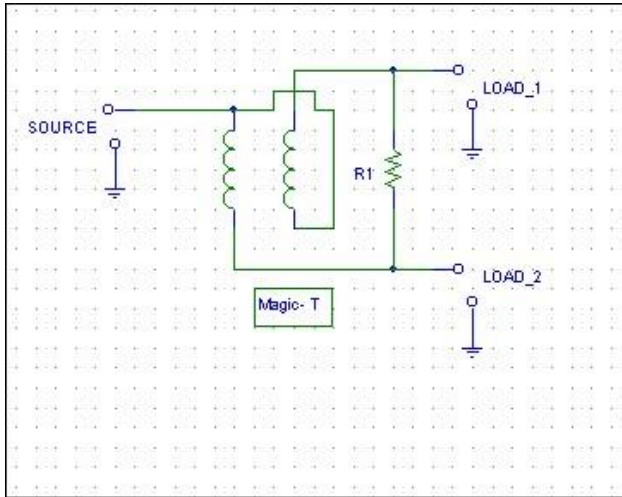
Stay safe and vote early if you can.

73 es gud DX!

Mike ND4V ❖

## Around the Shack (cont.)

If you need a splitter for use below 40 meters, CATV splitters won't do the job. You will need to make your own. Take heart, a Magic T only has two components. It is among the easiest of all DIY projects.

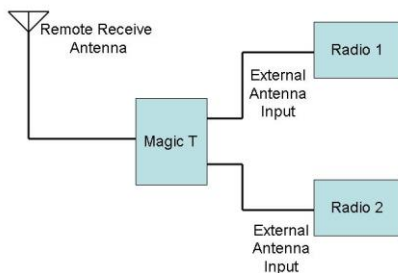


The schematic for a basic Magic T is shown at the left in **Figure 2** (Source: W8JI). It consists of a small transformer and a resistor. That's it.

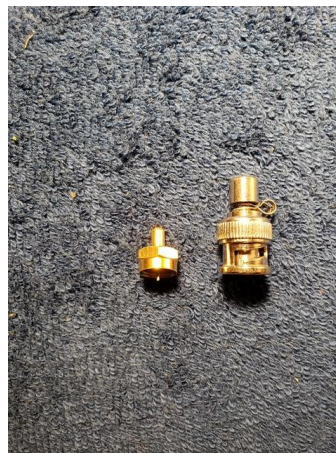
This simple circuit has an unusual property: it will deliver an equal signal to the two output ports no matter what impedance those ports see. There can be a 50 ohm load on one of the output ports and a 75 ohm load on the other and they will each receive one half (-3 dB) of the input power. The two output ports are isolated from each other too. One port can have a short or an open and the other port will still receive one half the signal present at the input.

So, what practical application might we have for such a device? Magic Ts are useful when we are feeding a receive antenna into the external antenna jack of two receivers. It will insure each receiver receives the same signal and the port-to-port isolation insures that noise and impedance shifts\* at one receiver's input will not affect the other. That might seem unnecessary, but consider an unfortunate design issue that one of the most popular HF transceivers has. That radio shorts the external antenna jack when transmitting.

The radio I'm referring to tends to show up at Field Days. One of my "secret sauces" for Field Day is to place a short vertical 500 feet away from the transmit antennas. The antenna is for receiving only and routed to the external antenna jack of each radio via a Magic T. See **Figure 3**. Each rig transmits on a dipole and receives on the remote vertical. This approach has solved the inter-station interference problem that arises at nearly every Field Day. The details are described in an upcoming QST article. I've built a 4 port Magic T for three and four rig Field Day setups. Remember, an unused port can be left open or shorted and not affect the others; a 4 port Magic T is fine for three rigs – just leave the unused port open. Best practice however is to terminate unused ports with an appropriate resistive load as shown in **Figure 5**. Resistive 75-ohm terminations with F connector (10 for \$7 at Amazon and Lowes) should be on the end of every "live" but unused CATV cable in your home (**Figure 4**).



**Figure 3**  
A two port Magic T Setup



**Figure 4**  
Resistive Termination Load



**Figure 5**  
Unused Port Terminated

See text for explanation

See text for explanation

With a Magic T in place, any rig can transmit and short its external antenna input jack yet the rest of the radios keep receiving with no change in signal strength. It really is “magic,” when you consider its being done with a passive device consisting of two components.

The two-port Magic T I built for Field Day is shown in **Figures 6 and Figure 7**. It has both a BNC and an RCA jack at each port to make it easy to splice into systems using either connector. Real-world experience at Field Day has been as predicted. The received signals at any radio really are unperturbed by what’s happening at any of the others.



**Figure 6**  
DIY Two-Port Magic T  
Top View



**Figure 7**  
DIY Two-Port Magic T  
Bottom View

If you would like to know more, and want the instructions for building one, see Tom Rauch’s (W8JI) excellent article [here](#).

73,

Hal N4GG ❖

## DXpedition Funding Requests

<b>Entity Name / Call Sign</b>	IOTA: Tatakoto Atoll; DXCC: French Polynesia / TX0T
<b>Web page</b>	<a href="https://tx0t.weebly.com">https://tx0t.weebly.com</a>
<b>Team leader / number of members:</b>	Cezar Trifu, VE3LYC / this is a single operator expedition
<b>Approx. Date and duration of Dxpediton</b>	October 29 to November 5, 2020
<b>QSL manager / QSL route</b>	VE3LYC (direct or via the bureau)
<b>Budget estimated for Dxpediton</b>	\$6,400
<b>Position on most wanted list:</b>	Tatakoto is the sole counter for the OC-298, which is a New IOTA reference
<b>Landing permit/operating permission approved.</b>	Yes
<b>Last time this entity was activated</b>	There was a short operation from Tatakoto in June 2019, but the operator's equipment broke, and he was unable to fulfill the minimum IOTA requirements for qualification.
<b>Typical interval between activations</b>	Very difficult to guess, but probably several years
<b>Anyone planning to activate this entity before your DXpedition</b>	No
<b>Objective / Strategy</b>	4000 QSOs with 2500 unique callsigns
<b>Callsign/Age of youngest Team member</b>	N/A
<b>SEDXC member initiating request</b>	Jeff, K1ZN
<b>SEDXC member(s) participating</b>	N/A
<b>Funding amount requested</b>	At SEDXC's discretion
<b>Send Funds to:</b>	Cezar, VE3LYC (paypal to ve3lyc@hotmail.com)
<b>SEDXC logo on QSL cards?</b>	Yes
<b>SEDXC logo on web page?</b>	Yes
<b>Additional comments:</b> I will use an Icom IC-7000 rig with an Elecraft KPA 500 amplifier and a vertical multi-band antenna, operating CW and SSB on 17, 20, 30, and 40 m. This is a full time operation.	



# SOUTHEASTERN DX CLUB W4NT

*THE  
SOUTH'S  
PREMIER  
DX CLUB*

October 1995

## **NEXT MEETING TIME & LOCATION**

Tuesday, October 17th, 7:30 PM, Old Hickory House  
in the Days Inn, Roswell Rd., just inside I-285.

## **FROM THE VP**

**by Sonny Marsh, KE4LDJ, VP**

## **PRESIDENT'S MESSAGE**

**-Steve Schmidt, KR4DL, President**

It doesn't happen often. But every now and then I'm perversely pleased that I have only an old, low crank-up tower at forty or so feet. It definitely puts me in the little pistol category, but saves me long-term anguish during severe lightning storms and hurricanes. I cranked it down for Opal, woke up many times during the night and sweated it out until morning, when I discovered a large fallen pine tree in my neighbor's yard had dropped the other way and spared my house and antennas. Only my 160/80 wire was damaged when I let it sag too much and allowed a thrashing tree to tangle it about fifty feet up. I was one of the lucky ones.

So far, Steve, K4JPD, sounds like the hardest hit, with reports of two towers downed, including that prized 80 meter beam. My heart goes out to you, Steve. I can only imagine the anguish you must have felt on hearing (and ultimately, seeing) all that steel and effort hit the ground. As I heard it said on the DX repeater which bears his call, Steve "lost more antennas than most amateurs have; he has more antennas still standing than most amateurs have." Small consolation. I know Steve's not alone with antenna losses, though he's probably lost the most.

I'll look forward to hearing from some of the others of you who've lost part of the "farm". Perhaps I can even help when you get ready to put one back up. Strictly unskilled labor; remember, I have no experience with a "real" antenna. Maybe someday I'll have one of my own. Then again, maybe not.

See you Tuesday night.

73, Steve, KR4DL

Those of you who didn't attend the last meeting missed out on seeing the official video of the Howland Island DXpedition. Many people said it was the finest dxpo video they had ever seen.

I hope everyone got to work Juan Fernandez and Easter Island groups. I did, and it was a lot of fun. I saw a video and several slides from both dxpeditions, and they were nothing short of spectacular. A great program will be presented by some of the participants at the November meeting. Don't miss this one!

At the October meeting we will have Mr. Manuel Romero, KR4VM, as our guest speaker. Mr. Romero is the President of the company handling all of the communications for 1996 Olympics to be held here in Atlanta. In addition to the TV and other media coverage, he has thoughts of providing an "Olympic Amateur Radio Station" where visiting hams could drop in and make a few QSO'S. This should be a very exciting and informative program, so please try to attend the next meeting.

Come early and have dinner! Hope to see you there!

-73 Sonny, KE4LDJ

## **MR. LOW BAND SEZ...**

**-Mike Greenway, K4PI**

Each year Club members are requested to send their scores in for CQWWDX and CQ 160M contest. Each year, I hear members say after the test, "It was only a small score, so I didn't send it in." Please, please send it! I would like to see all the Club members posted in the results. Small scores DO add up. We were #8 in the USA last year, #15 in world. That is a good effort. Congratulations to all that helped achieve this spot. Let's do it again. If a friend says a score is too small to send in, ask him to reconsider.

The SEDXC Newsletter is published monthly by the Southeastern DX Club. All opinions expressed by the contributors do not necessarily reflect those of the editor, officers, or club. We welcome your opinion.

## TREASURER'S REPORT

-Nancy Draheim, NK4U

Balance 8/31/95 (Checkbook)	<u>\$2099.08</u>
Income:	<u>\$718.00</u>
Expenses:	
Dinner for speaker	7.34
Newsletter (September)	106.48
Bank Charges	10.36
Balance Checking 8/31/95	<u>\$2692.90*</u>

\* Of this balance, \$1,294 is designated for the cluster fund.

This is the first mailing after purging those members who did not renew - so if you hear anyone asking about the newsletter, remind them that dues are due. The SEDXC will again have a table at the Stone Mountain Hamfest. Stop by and chat, rest your feet, store those goodies, and if you're lucky, you can even work the booth!

73, Nancy NK4U

---

## P49I TO BE ACTIVE 160M CQWW SSB!!

-Mike Greenway, K4PI

I have just found out that it will be possible for me to go down to P49I for the CQWW SSB contest. I plan to operate 160M only during the test for a single band effort. Everyone in the club please work me if possible. In any 160M operation, every QSO is worth its weight in gold. Outside the contest I will do low bands/WARC, cw mostly. During the contest, I would appreciate being kept on the packet screen at least once. QSL to K4PI.

See you in the test. -Mike, K4PI

---

## GET THOSE LOW BAND ANTENNAS READY!

## MINUTES, SEDXC MEETING 9/19/95

-Steve Schmidt, KR4DL

### Minutes From September Meeting Held 9/19/95

Meeting was called to order by Steve, KR4DL, who welcomed the 24 attendees, had them sign an attendance sheet and introduce themselves.

A motion was introduced to accept the minutes as printed in this excellent newsletter because Dick Bentley, K2UFT, did a terrific job of recording all the pertinent matters that transpired during the last meeting (thank you Dick; we missed you).

There was no old business. Under new business, it was announced that the SEDXC web page was up and running on the internet. Rick, N4XMX was provided the information to put the exact address in this bulletin (<http://www.peachmall.com/sedx/dxhome.html>).

Some information was disseminated and discussed regarding the XRØY DXpedition and the confirmation of contacts, accessibility of log information on the internet, and QSL card receipt. Rick, N4XMX, announced that Easter Island rocks would not be on sale due to the efforts of politically correct critics. It was suggested that the politically correct critics might be stacked on Pratas or Scarborough Reef to bring those islands to politically correct DXCC status. Timing for the end of the XRØY and CEØZ (Juan Fernandez island, featuring SEDXC member Bob, K4UEE, along with KØEU and KØIYG) was discussed and it was noted that TY8G (Benin) was now on the air on all bands.

We took a short break and heard a report by Kioshi, AE4EZ (JAØBSL) about his trip to Japan representing the SEDXC at the Japanese Ham Convention. Kioshi did a great job, has some very nice photos and presented a check to the club for over four hundred dollars.

Then we ran another 50-50 prize drawing. Apparently, the president (the lowly scoundrel) neglected to pick up the door prizes, as instructed. (He has promised to make a serious run at the local radio shop for the next meeting; perhaps he won't blow it this time!) The evenings program was a video of the AH1A, Howland Island DXpedition with (who else?) our own Bob Allphin, K4UEE. The meeting was adjourned at 9:18 PM.

(Steve filled in since Buddy couldn't be there, thanks Steve! -ed.)

## BEEPS DE K2UFT

**-Dick Bentley, K2UFT, Activities Director**

Short article this time around, just got out power back on on Sunday and with debris cleanup, etc., ham radio was not at the forefront of our activities. Hope that those who suffered damages are making a comeback. The band(s) for October are 10 and 12 meters and the summary sheet will be due at the November meeting. November's band will be 160 meters, with your activity summary due December meeting. Summary sheets will be available at the next meeting for those who missed last meeting. 73 for now - see you on 10 & 12 meters.

-73 Dick, K2UFT

---

## DX TIDBITS (HURRICANE OPAL ARRIVES BIG TIME!)

**-Rick, N4XXM**

Ah, the advantages of practicing the drill BEFORE the emergency arrives! The power went out here around 2:30 AM Thursday morning. My burglar alarm has a very unmistakable way of telling me the power is off. With the rising wind, we all moved into the downstairs living room for the rest of the night.

Next morning, we looked around. Fortunately, no trees crashed here. I knew there had to be an advantage to having a house in a hole (even if it's a distinct disadvantage, ham-wise!). We brought out the generator, fired it up, unhooked the mains, and plugged in the house.

Everything in the house on 120V worked fine. Obviously we did not use any high amp demand items. The generator is rated for 2800W. As it turned out, we were the ONLY people on the street to have any power for two days. We even had the TV hooked up to watch the Braves, using a dipole made out of alligator clips.

Some of the neighbors wondered if we worked for the power company because we had the front light on for the Chinese food delivery! Silly question from neighbor (staring right at downed lines): "Is the power on on YOUR side of the street?" Moral of story: Have your generator BEFORE the storm. Test the hook up and know how your generator works.

BTW, my antennas are fine... sri JPD!

-CU in the pileups...

Rick, N4XXM

## CLUB SCORES

**-Steve, KR4DL**

**Big Contest Scores** The following Southeastern DX Club members were listed prominently in the scoring for the contests listed:

1995 ARRL DX CW Contest: N4RJ (Bill, KM9P op.) 4th in North America Single Op., High Power (1st in SE Region), K4BAI (John) 5th in SE Region Single Op., low power (1st in Georgia), AA4S (Ron) 4th in North America Single Band (40 meters)

1995 ARRL DX Phone Contest:

AA4S (Ron) 5th in Southeast Region Single Op., High Power

1994 CQWW DX CW Contest:

N4RJ (Bill, KM9P op.) 5th in U.S.A. Single Op., High Power (1st in 4th Call Area), K4PI (Mike) 1st in 4th Call Area, Single Band (80 meters), K4TEA (Ken) 1st in 4th Call Area, Single Band (160 meters)

CONGRATULATIONS!!!

---

## CLUB QSL CARDS

**-Dick Bentley, K2UFT, Activities Director**

We need to remind you from time to time that Wayne, W4MPY does a QSL card for SEDX Club. In a conversation with him recently, he stated that he would print 500 for \$48.95 or 1000 for \$65.95. If Rick has room this month, he'll print a sample of the card. To see it in person, come to the next club meeting and we'll have a sample available. Contact Wayne at 803-685-7117 voice or FAX for details. As with the opinions expressed in this bulletin, the above is an unpaid announcement intended to inform and not entice.

Dick, K2UFT, Activities Manager

---

## CQWW IS COMING UP GET READY!!!